



## DVME TECHNICAL SERVICES.,JSC



### COMPANY PROFILE

**DVME TECHNICAL SERVICES JOINT STOCK COMPANY**

12<sup>th</sup> Floor, Licogi 13 Tower, 164 Khat Duy Tien, Thanh Xuan, Hanoi

Email: [info.dvme@gmail.com](mailto:info.dvme@gmail.com)

Website: <http://www.dvme.com.vn>

DVME Technical services., JSC would like to express our respectful greetings and cooperation. DVME was founded by members with more than ten years of experience in working and supplying materials and equipment to many companies and corporations in Vietnam. We are not only a mere trading company, but we also aim to provide solutions and professional advice to customers. We are also a bridge and representative of manufacturers who want to expand their business in the Vietnamese market.

We have experience in developing new brands, new suppliers to heavy industry and assembly industry... We also have very good communication and relationship with our customers, which operation in:

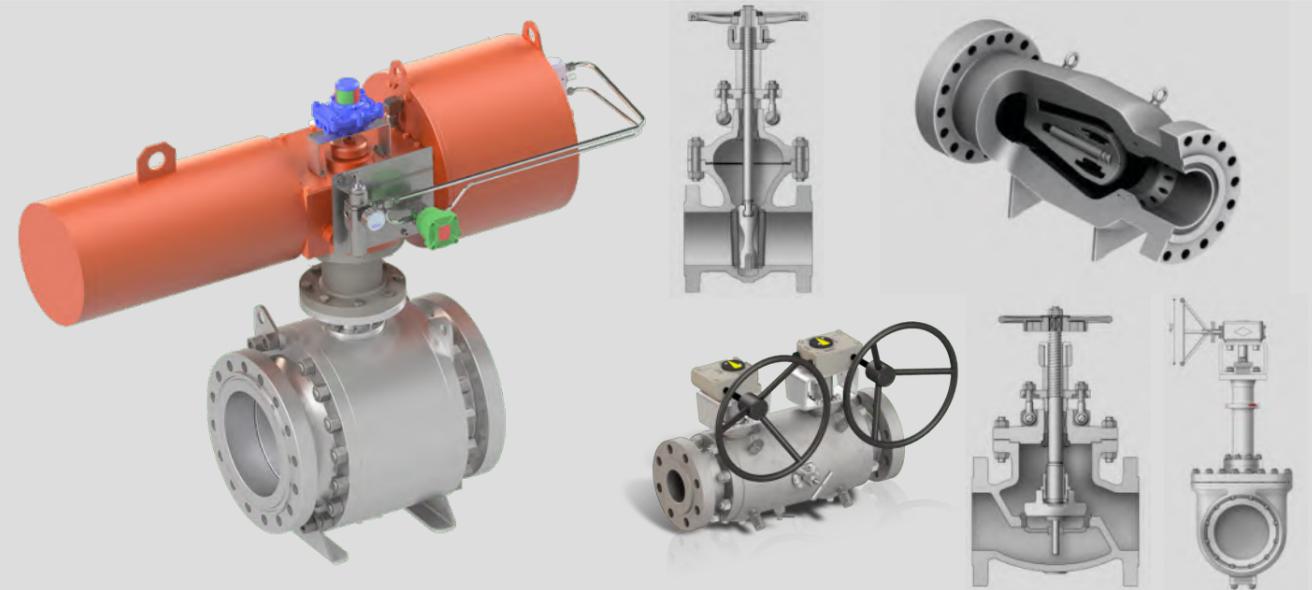
- |   |  |
|---|--|
|  Oil and gas industry    |  Cement and construction industry |
|  Thermal power industry  |  Mining industry                  |
|  Iron and steel industry |  Waste treatment industry         |
|  Wind power plant        |  Repair and services              |
|  Manufacturing industry  |  Engineering and consulting       |
|  Chemical industry     |  Other industries               |

With a professional working style, a spirit of learning and creativity, we will provide our customers with professional service, bring comfort and business development to our partners. We believe that our understanding of the market together with the support from the manufacturers will contribute to the success of our joint venture.

Sincere thanks and cooperation!



## Industrial Valves: high quality and various brand



### DIFFERENCE TYPE OF VALVES:

- |   |   |
|---|---|
|  Ball valve       |  Choke valve                            |
|  Gate valve      |  Double block and bleed valve          |
|  Butterfly valve |  Cryogenic valve                       |
|  Check valve     |  Automated valve                       |
|  Globe valve     |  Plug valve                            |
|  Needle valve    |  Valve accessories and spare parts ... |

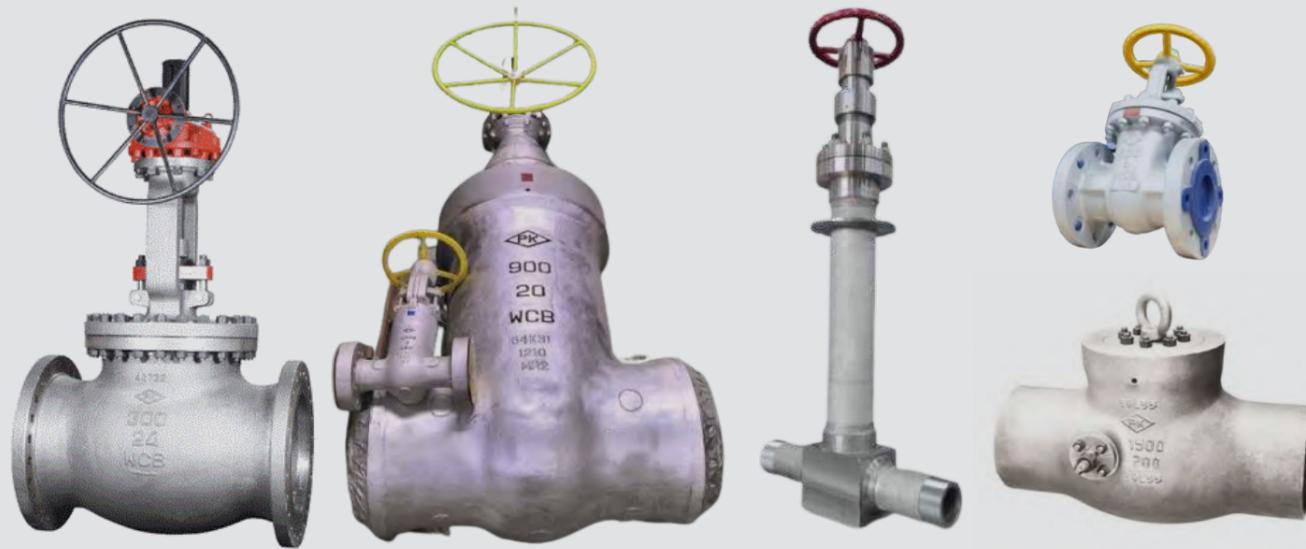
### SPECIFICATIONS:

- **Standards and certifications:** ISO 9001; ISO 14000; API 6D; API 6DSS; API 6A; FIRE SAFE API 607 - API 6FA - ISO 10497; API 594; API 598; API 600; BS 6364; BS 1868; BS-6755 Part 1; ISO 14313; ISO 15848; ASME B16.34; ASME B16.5; NACE MR0175; NACE MR0103; PED 97/23/EC; SIL 3 ...
- **Materials (body + main parts):** Carbon steel; low temperature carbon steel; alloy and stainless steel; duplex steel; nickel alloys; titanium alloys, tungsten carbide coating; bronze ... ASTM A105/105N; A216 WCB; A350 Gr.LF2; A352 Gr.LCC; A182 Gr.F316/ F316L/F44/F51/F51/F53/F55/; A351 Gr.CF3M/8M; A564; A890; A351; Inconel 625 & 825; Monel; Hastelloy ...
- **Pressure classes:** ANSI 150Lbs / 300Lbs / 600Lbs / 900Lbs / 1500Lbs / 2500Lbs / 4500Lbs; API 2000 psi / 3000 psi / 5000 psi / 10000 psi / 15000 psi
- **Operation:** Level, hand wheels; electric actuator; hydraulic/ pneumatic actuator ...
- **Features:** double block & bleed; metal seated; locking device; stem/seat sealant injection; extended stem; anti-static device; drain valve; double-piston effect seats; anti-blow out stem ...
- **Origin:** Italy; Germany; Spain; EU; US; UK; Korea; Thailand ...

## Valves: Distributor of PK Valve & Engineering - Korea

## Valves: Distributor of PK Valve & Engineering - Korea

PRODUCTS

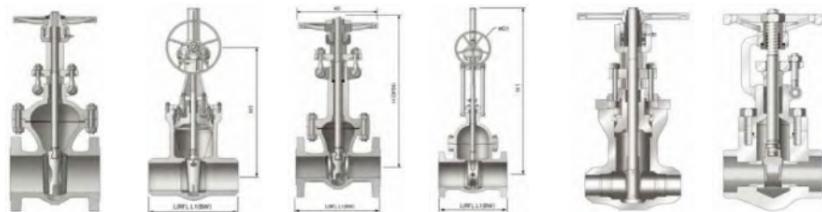


PRODUCTS

- Bolted Bonnet Valve
- Pressure Seal Valve
- Parallel Slide Gate Valve
- Cryogenic Valve
- Belows Seal Valve
- Butterfly Valve
- Ball Valve
- Forged Steel Valve
- High Pressure Forged Steel valve
- Accessories and Spare parts ...

### GATE VALVE

Gate valve is characterized by a sliding wedge which is moved by actuator perpendicular to the flow direction. The valve is used primarily as a stop valve to open or close fully. There are a variety of valve sizes and types: Bolted Bonnet, Pressure Seal, Parallel Slide Gate, Cryogenic, Below seal, Forged steel (HP) ...



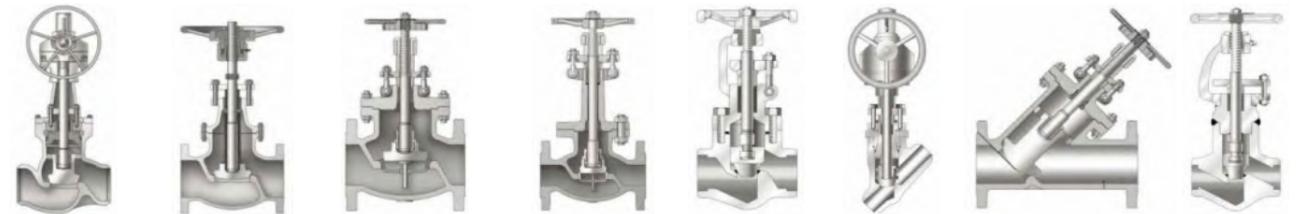
### BALL VALVE

- Floating Ball valve
- Trunnion mounted ball valve
- Top entry ball valve
- Cryogenic ball valve



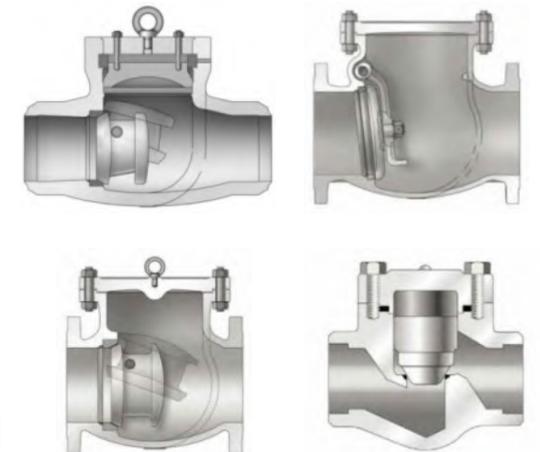
### GLOBE VALVE

The globe valve is used where throttling alone or both throttling and shut-off is needed. It may also be used for on-off service. There are a variety of valve sizes and types: Bolted Bonnet, Pressure Seal, Cryogenic, Below seal, Forged steel (HP) ...



### CHECK VALVE

Check valves are two-port valves, meaning they have two openings in the body, one for fluid to enter and the other for fluid to leave. There are various types of check valves used in a wide variety of applications: Swing type, Tilting disc, Dual plate, Lift check, Bolted bonnet, Pressure seal, Cryogenic, Forged ..



### BUTTERFLY VALVE



Butterfly valve have various type: Triple offset type; Double eccentric type, concentric type ...

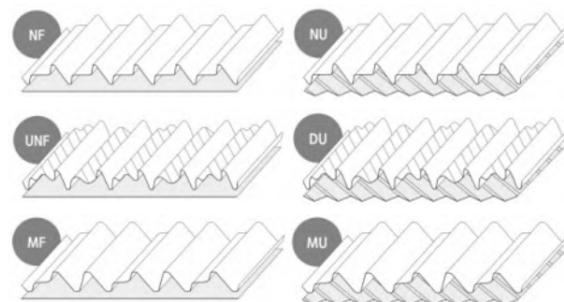
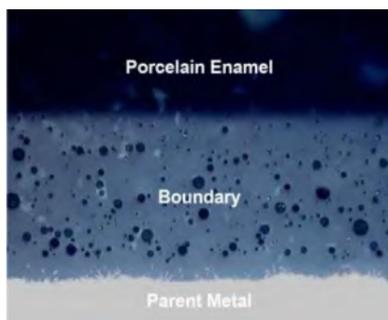
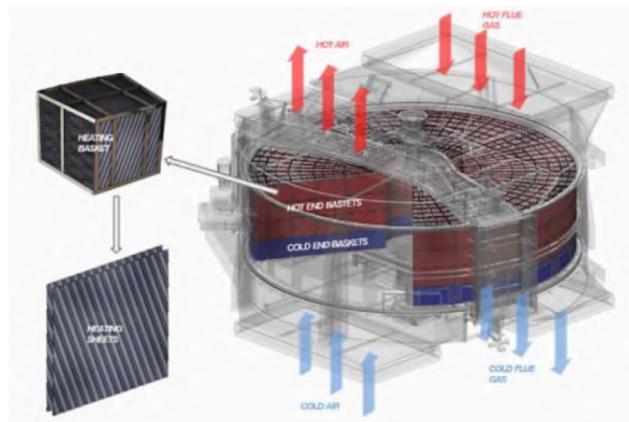
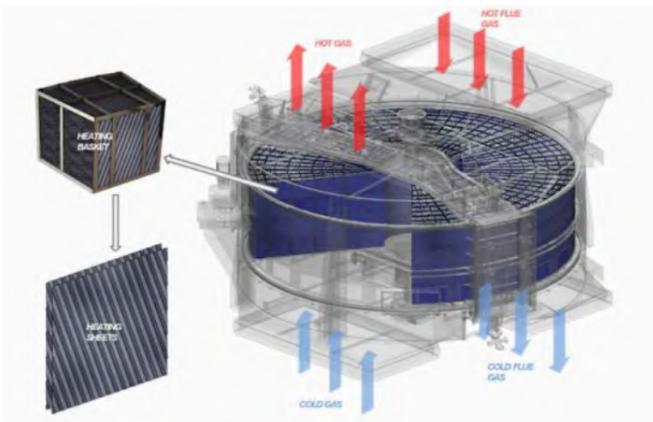
## Heating elements for GAH (APH) and GGH: from KOPEC



- Heating Element for GAH (APH)
- Porcelain Enamel Heating Element
- Heating Element for GGH
- Non-Leakage type Heat Exchanger
- Finned tube (Non-Leakage type)
- Return tube (Non-Leakage type)
- Bare tube (Non-Leakage type)
- Pipe Spool Lining

### GGH

### GAH (APH)



## Bearing: RKB - Swiss premium bearings



- Deep groove ball bearing
- Angular contact ball bearing
- Spherical roller bearing
- Cylindrical roller bearing
- Tapered roller bearing
- Thrust ball bearing
- Cylindrical roller thrust bearing
- Spherical roller thrust bearing
- Tapered roller thrust bearing
- Combined bearing, Accessories ...



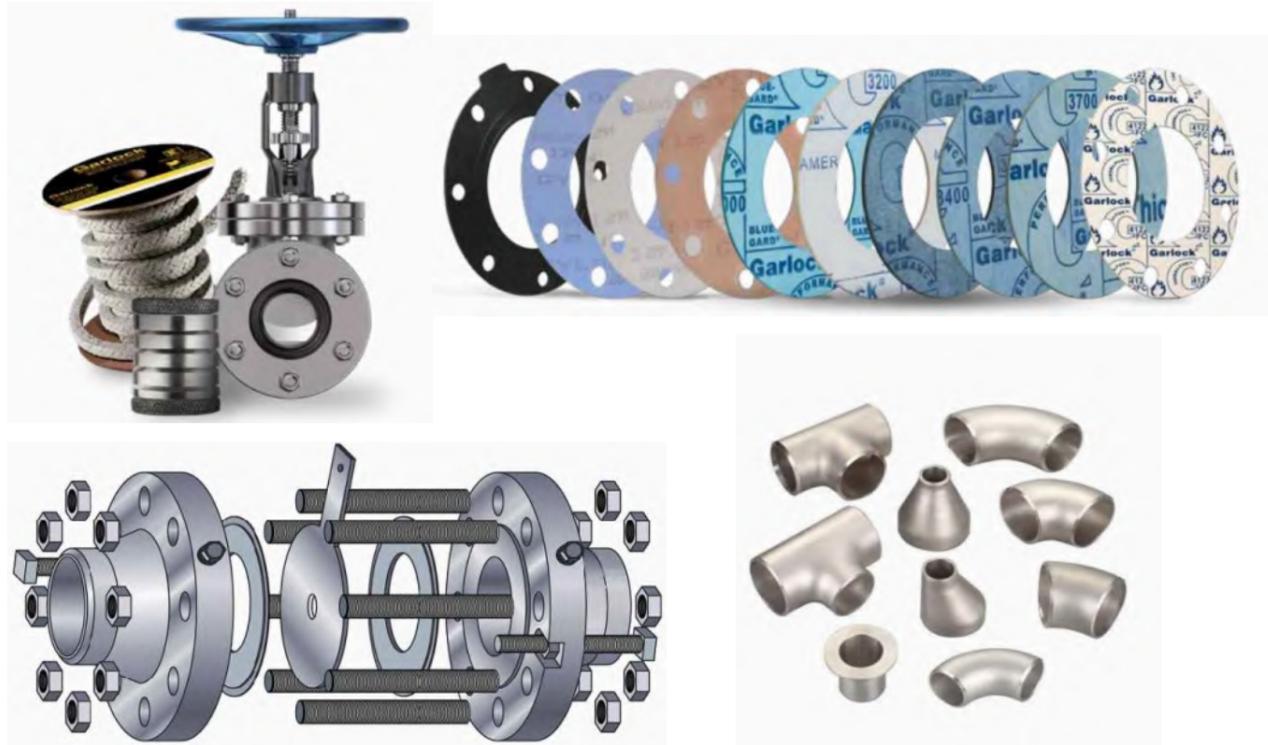
## Piping materials:

## Solenoid Valves: Authorized distributor of SVS-Austria

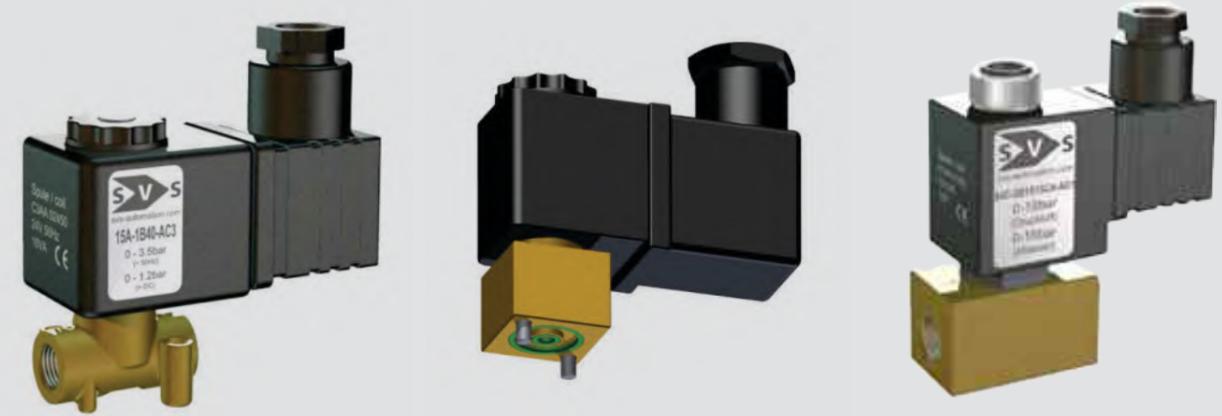
PRODUCTS



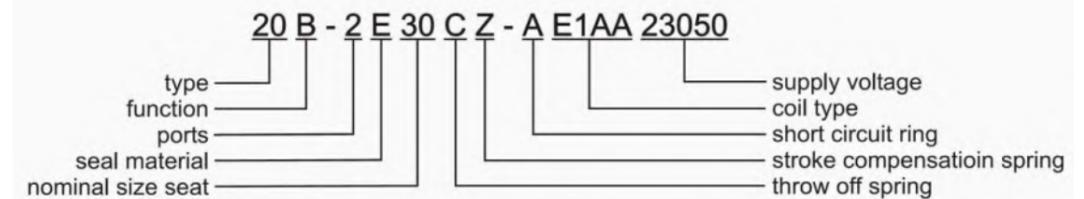
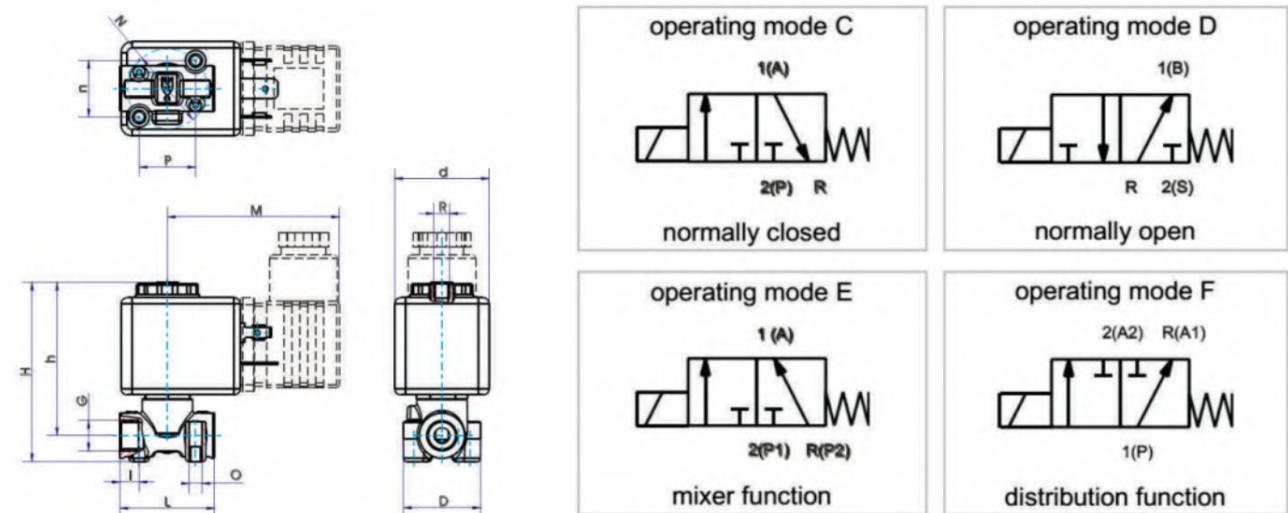
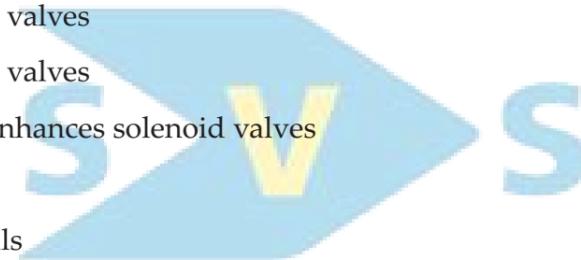
- Pipes
- Elbows
- Tees
- Reducers
- Couplings
- Flanges
- Expansion joints
- Bolts and nuts
- Gasket; seal; O-ring ...
- Others ...



PRODUCTS



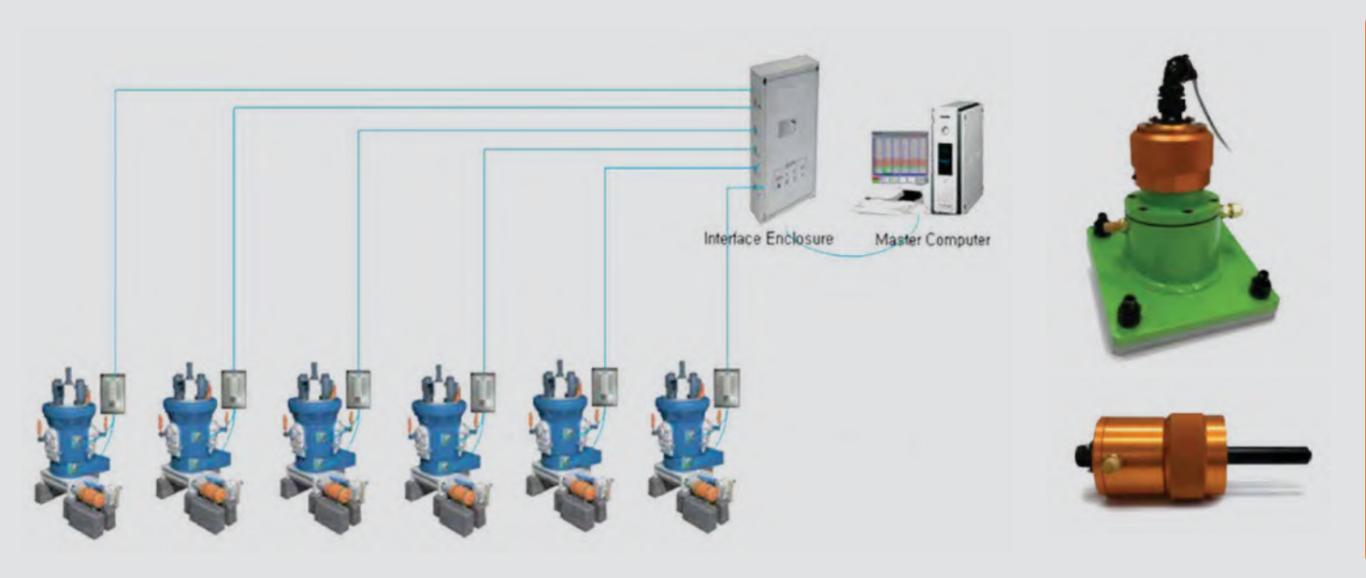
- 2/2 way solenoid valves
- 3/2 way solenoid valves
- Custom design enhances solenoid valves
- Valve connectors
- Encapsulated coils



## Spray nozzle & system: Lechler-Germany

## Monitoring system: ICEM - Korea

PRODUCTS



PRODUCTS

- Pneumatic atomizing nozzles
- Hollow cone nozzles
- Full cone nozzles
- Flat fan nozzles
- Tank clean nozzles
- Air nozzles
- Solid stream nozzles
- Metallurgy nozzles
- Droplet separators
- Nozzle lances and systems: SO<sub>x</sub>, NO<sub>x</sub> ...

- Pulverizer Fire Monitoring System
- Silo Hotspot Monitoring System
- Heat Flux Monitoring System
- Fire Detection System
- MECONTROL UBC
- MECONTROL Coal
- McONair
- Adjustable Orifice Valve
- Flame Monitoring CCTV System
- Level, temperature Instrument, transmitter, ...



# Vacuum Solutions: VACSCO - Korea

# References:

PRODUCTS

REFERENCES



- Oil Rotary Pumps
- Dry Pumps
- Watering Pumps
- Booster Pumps
- Diffusion Pumps
- Booster Pump systems
- Vacuum Systems
- Vacuum gauges
- Vacuum Valves
- Vacuum Accessories



HEAD OFFICE 80 GONGDAN-RO CHANGWON-SI, SEONGSAN-GU, KYEONGSANGNAM-DO, KOREA (51567)  
TEL +82 55 268 3740 & Fax +82 55 286 2112

SEOUL OFFICE 15-1, SAMIL-DAERO, 8-GIL, JUNG-GU, SEOUL, KOREA -1 (MYEONGDONG M-FIRST PLACE 1318, POST CODE 04552)  
TEL +82 55 268 3777 & Fax +82 55 286 2112



## AUTHORIZED DISTRIBUTOR LETTER

### To whom it may concern:

This letter is to **CERTIFY**, which DVME TECHNICAL SERVICES., JSC is an AUTHORIZED DISTRIBUTOR in the country of VIETNAM for NGHI SON REFINERY PLANT (NSRP). For any assistance please contact:

**DVME TECHNICAL SERVICES JOINT STOCK COMPANY**  
**Address:** 12th Floor, Licogi 13 Tower, 164 Khat Duy Tien Str., Nhan Chinh ward, Thanh Xuan Dist., Hanoi 100000, Vietnam.  
**Tel:** +84 (0)86-600-8486  
**Email:** [info.dvme@gmail.com](mailto:info.dvme@gmail.com) or [harry@dvme.com.vn](mailto:harry@dvme.com.vn)

DVME TECHNICAL SERVICES., JSC is responsible for promoting, distributing, selling, and offering technical assistance for PK Valve & Engineering products.

This agreement is valid until 31/12/2024.

If you have any questions, please do not hesitate to contact us.

Best regards

*K. S. Song*  
 K. S. SONG / Business Division  
 PK VALVE & ENGINEERING CO., Ltd.

K. S. Song / Director of Business Division  
 PK Valve & Engineering Co., Ltd.



## Our valued Customers

With many years working in the industrial fields, our valued customers are mainly in thermal power plants, oil and gas, refinery, and cement plants. We often contact and give them technical advice to solve their problems. Understanding our customer's requirements and demands, we do not only provide goods, but we will make customers satisfied when using our goods/ services. Our valued Customer includes but not limited as follow:

- Vinh Tan 4 Coal fired power plant
- Nghi Son 2 Coal fired power plant
- PV Gas Services
- Xuan Thanh Group
- Hai Linh LNG terminal
- Long Son Petrochemical
- Uong Bi Coal fired power plant
- Duyen Hai Coal fired power plant ...

### AUTHORISED DISTRIBUTOR LETTER

Effective: July 2021

#### To whom it may concern:

This letter is to **CERTIFY**, that **DVME TECHNICAL SERVICES., JSC** is an **AUTHORISED DISTRIBUTOR** in the country of **VIETNAM**. For any assistance please contact:

#### Address:

DVME TECHNICAL SERVICES JOINT-STOCK COMPANY  
12nd Floor, Licogi 13 Tower, 164 Khat Duy Tien Str.,  
Nhan Chinh ward, Thanh Xuan Dist.,  
Hanoi 100000  
Vietnam.

Tel: +84 (0)86-609-9486

Email: info.dvme@gmail.com

**DVME TECHNICAL SERVICES., JSC** is responsible for promoting, distributing, selling, and offering technical assistance for **ICE MECA TECH Co., LTD** products.

This agreement is valid until July 2023

If you have any questions, please do not hesitate to contact me.

Best regards

Mr. Kihoon Lee



Manager - Business Development

ICEMECATECH Co.,Ltd.

